



Single Spring Seal (SCV 120 Series 'V' Packing & SCO 130 Series 'O' Ring)

SCV 120



SCO 130

Single Spring Seal SCV 120 Series 'V' Packing & SCO 130 Series 'O' Ring are single helical coil spring, bi-directional seals developed for dirty media & clogging applications. Torque transmission from drive collar to spring holder seal rings is done through sturdy drive lugs. As all the parts are interchangeable, so Series SCO 130 can be converted to SCV 120 by changing only secondary seal.

Applications : Crystallizing Slurry, Suspended Solid Slurry, Saturated Chemical Slurry, General Chemical Slurry.

Seal Components :

Seal Face :

Carbon / Lecrolloy
Carbon / Ceramic
Carbon / Silicon Carbide
Silicon Carbide / Silicon Carbide
Tungsten Carbide / Tungsten Carbide

Secondary Seal :

SCV 120 : PTFE, GFT ('V' Packing)

SCO 130 : Elastomers ('O' Ring)

Metal Parts : SS 304, SS 316

Seal Characteristics :

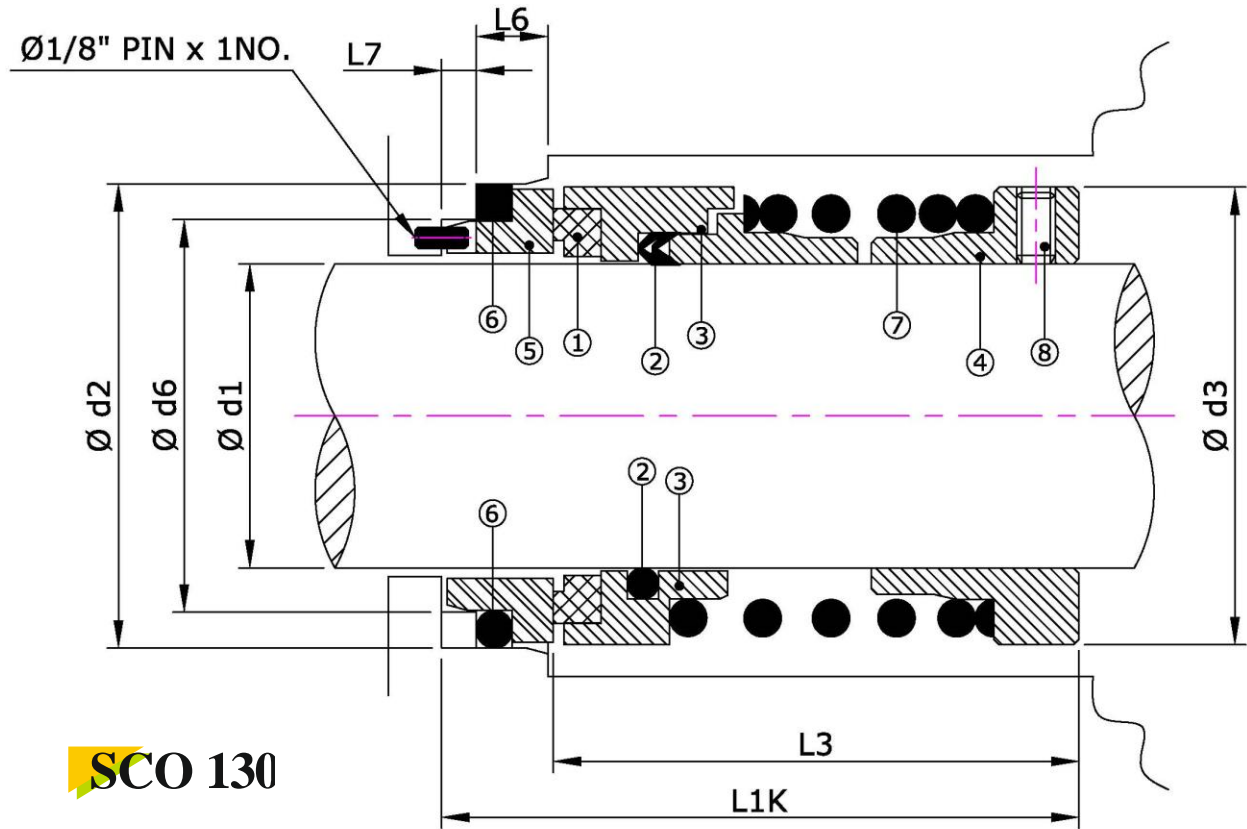
- Single Acting Unbalanced
 - Inside Mounted
 - Single Conical Helical Coil Spring
 - Dependent of Direction of Rotation
 - Universal Chemical Compatibility
- Due to PTFE Elastomer

Operating Parameters :

Shaft Dia : 14 to 100 mm / 0.875 to 3.500 Inch
Pressure : 14 Bars (max)
Temperature : -20 to +180°C
Velocity : Up to 20 m/sec



SCV 120



SCO 130

ITEM	DESCRIPTION
1	SEAL RING
2	V PACKING / O RING
3	SR SHELL
4	DRIVE COLLAR
5	MATING RING
6	PTFE PACKING / O RING
7	SPRING
8	SET SCREW



SCV 120 & SCO 130 DIMENIONS IN MILLIMETER

SEAL SIZE							
$\begin{matrix} +0.00 \\ \mathbf{d1} \\ -0.05 \end{matrix}$	$\begin{matrix} +0.00 \\ \mathbf{d2} \\ -0.05 \end{matrix}$	$\mathbf{d3}$	$\begin{matrix} +0.10 \\ \mathbf{d6} \\ -0.00 \end{matrix}$	$\mathbf{L6}$	$\mathbf{L7}$	$\mathbf{L3}$	$\mathbf{L1K}$
24	35	38	29.0	7.0	8.5	49	62
26	37	40	31.0	7.0	8.5	49	62
28	39	42	33.0	7.0	8.5	51	64
30	40	44	34.0	7.0	8.5	51	64
33	43	47	37.0	7.0	9.0	51	64
35	45	49	39.0	7.0	9.0	55	68
38	48	54	42.0	7.0	9.0	58	71
40	50	56	44.0	7.0	9.0	60	73
43	56	59	49.0	7.0	9.0	61	76
45	58	61	51.0	7.0	9.0	61	76
48	61	64	54.0	7.0	9.0	61	76
50	63	66	56.0	7.0	9.0	65	80
53	66	69	59.0	7.0	9.0	65	80
55	68	71	62.0	7.0	9.0	65	82
58	71	76	65.0	7.0	9.0	68	84
60	73	78	67.0	7.0	9.0	68	84
63	79	81	70.0	9.5	9.0	68	84
65	81	84	72.0	9.5	9.0	72	88
68	84	87	75.0	9.5	9.0	72	88
70	86	90	77.0	9.5	9.0	73	89
75	92	95	83.0	9.5	9.0	75	94
80	97	100	88.0	9.5	9.0	75	94
85	105	107	95.0	9.5	9.0	81	100
90	110	112	100.0	9.5	9.0	82	100
95	115	119	105.0	9.5	9.0	87	105
100	120	124	110.0	9.5	9.0	87	105



SCV 120 & SCO 130 DIMENIONS IN INCH

SEAL SIZE								
d1 ^{+0.00} / _{-0.05}		d2 ^{+0.00} / _{-0.05}	d3	d6 ^{+0.10} / _{-0.00}	L6	L7	L3	L1K
Inch	mm							
0.875	22.225	37.95	37.0	32.15	7.0	8.5	49	62
1.000	25.400	41.15	40.0	35.34	7.0	8.5	49	62
1.125	28.575	44.32	43.0	38.50	7.0	8.5	51	64
1.250	31.750	47.50	47.5	41.68	7.0	8.5	51	64
1.375	34.925	50.67	49.0	44.86	7.0	9.0	51	64
1.500	38.100	53.85	53.0	48.04	7.0	9.0	55	68
1.625	41.275	60.20	55.0	54.38	7.0	9.0	58	71
1.750	44.450	63.35	59.0	57.56	7.0	9.0	60	73
1.875	47.625	66.55	63.5	60.74	7.0	9.0	61	76
2.000	50.800	69.72	66.2	63.92	7.0	9.0	61	76
2.125	53.975	76.05	72.0	70.26	7.0	9.0	61	76
2.250	57.150	79.24	76.0	73.44	7.0	9.0	65	80
2.375	60.325	82.42	80.0	76.62	7.0	9.0	65	80
2.500	63.500	85.60	83.5	79.78	7.0	9.0	65	82
2.625	66.675	85.60	88.0	79.80	7.0	9.0	68	84
2.750	69.850	88.77	91.5	82.96	7.0	9.0	68	84
2.875	73.025	91.66	96.0	85.86	9.5	9.0	68	84
3.000	76.200	94.84	100.0	89.04	9.5	9.0	72	88
3.125	79.375	98.0	103.0	92.20	9.5	9.0	72	88
3.250	82.550	101.16	106.5	95.36	9.5	9.0	73	89
3.375	85.725	104.36	110.0	98.56	9.5	9.0	75	94
3.500	88.900	107.54	113.0	101.74	9.5	9.0	75	94